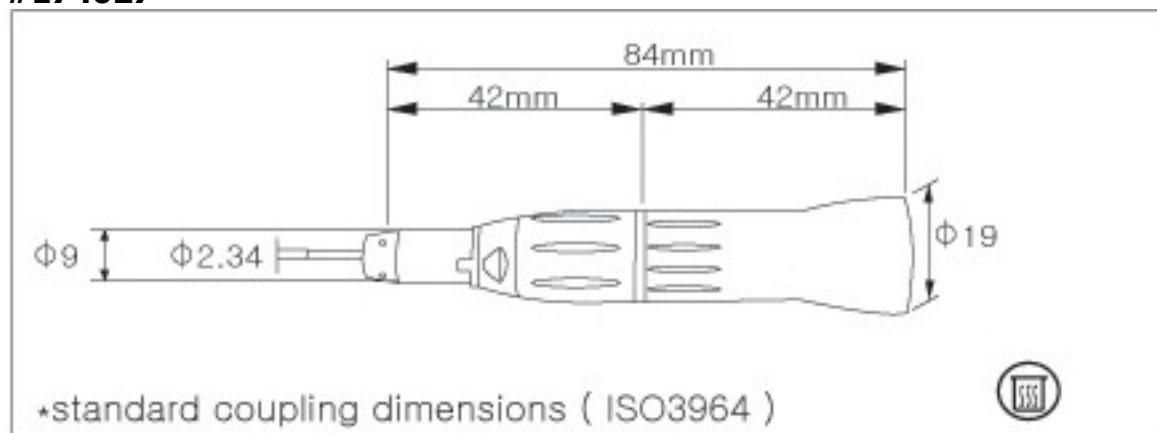


Straight Angle Handpiece 1 : 1

Please read this instruction manual carefully prior to use and file it for future reference.

#174027

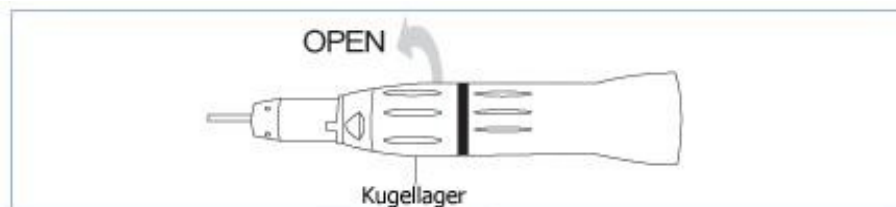


[Weight]

56g

[Bur Change]

Take off the handpiece from the micromotor. Turn the ball bearing guide to the direction shown below until a click will sound. Insert the bur. Turn the ball bearing guide in the reverse direction until another click will sound. Ensure safe placement by pulling the bur slightly.



Operate handpiece only with ISO compatible burs e. g (# 174205/172880 /174450). Do not use defective burs. Always ensure safe locking of the bur prior to use. Wear eye protection

Eltastr. 8 ▫ **78532 Tuttlingen**
Tel: +49/7461/96580 – 0
Fax: +49/7461/96580- 90

www.eickemeyer.de ▫ info@eickemeyer.de

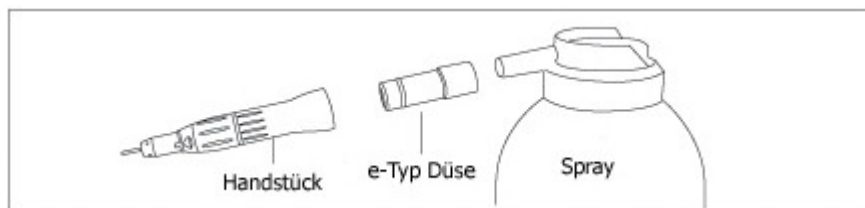
[Lubrication 1]

In case of continuous operation the handpiece should be lubricated every 30 minutes. Lubricate the handpiece after every cleaning. Only use lubricants approved for rotating instruments (e.g. 174010).

[Lubrication 2]

As shown in the picture below, an E-type nozzle is needed (#174011). Attach nozzle to spray. Lubricate handpiece for 2-3 s.

Periodically it is recommended to disassemble the head and lubricate the individual parts. Use the enclosed wrench to disassemble the head. Ensure correct assembly and tighten the head with the wrench..



[How to autoclave ?]

- 1) Clean and lubricate handpiece
- 2) Wrap in sterilizing foil
- 3) Max 1 bar, 135 C

Eltastr. 8 □ 78532 Tuttlingen

Tel: +49/7461/96580 – 0

Fax: +49/7461/96580- 90

www.eickemeyer.de □ info@eickemeyer.de